

DO-5685

10 circuits switch controller

Development course

The previous version RM-5645 is the 10 groups of relay integrated in an institution which, though very convenient to use and Projects applications are also common. However, as a lighting controller, due to the high current carrying often do the switching action, over time, they will inevitably useful life because parts failure happens.

Maintenance inconvenience caused due to maintenance consuming work, taking into account the subsequent ease of maintenance, in particular, a more desirable design new models **DO-5685** in addition to maintaining the 5645 control flexibility, more convenient to maintain.

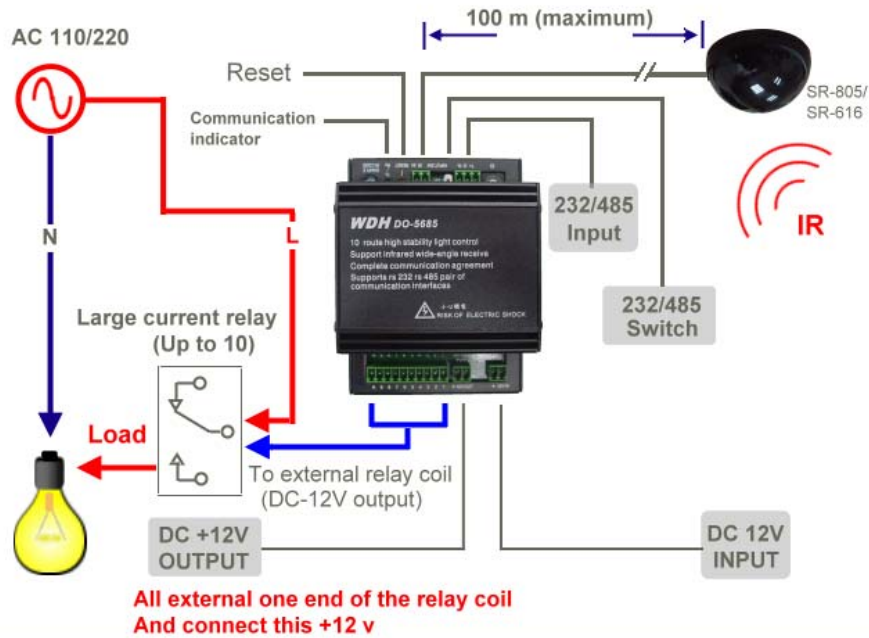
5685 strong electric control part into a self-configuration of the standard disk body, carrying current can be configured according to the actual needs of a specialized lamp control interface. The removable aluminum activities rail mounts, the body easily be configured in a standard aluminum rail construction operation is compatible with the standard distribution panels.

Flexible protocol configuration commands may be issued by the remote host can perform different lighting circuit switching, built-in general lighting control system is a group of the most difficult to grasp the scene transform mode.

Reserved for the infrared port even if the unit is mounted in a cabinet, and can easily be split to a remote infrared remote control. With 16 completely different infrared code to facilitate multi-application integration, DO-5685 is definitely the best choice of lighting control host

Important to note that before you start using the wiring to avoid human error cause product damage and endanger the security

DO-5685 Configuration diagram

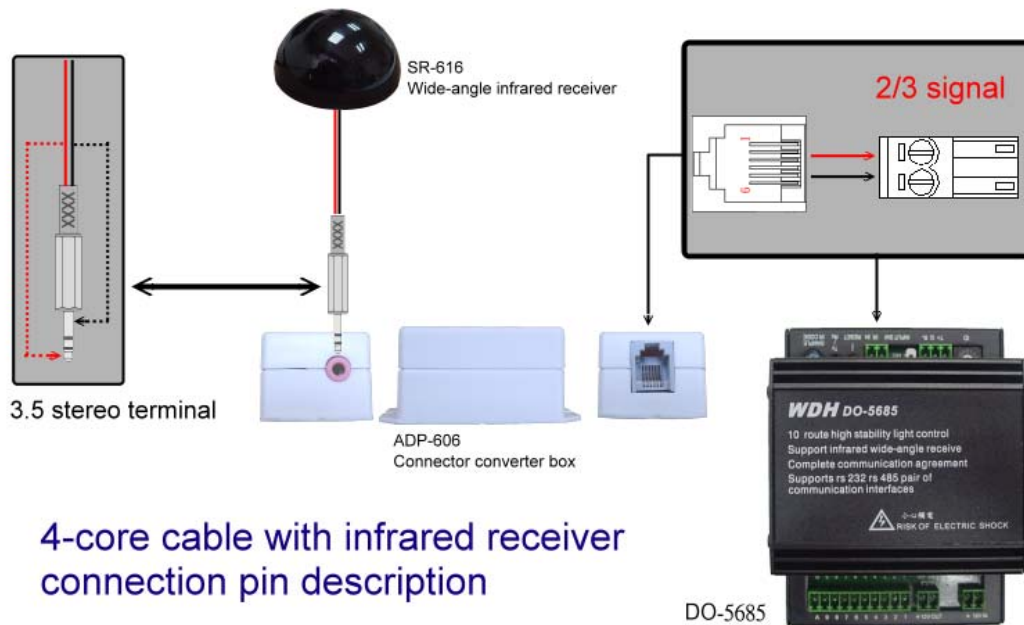


DO-5685 Exterior



SIZE: 108 * 80 * 68 mm

DO-5685 Infrared extension wiring diagram



Function Description

This machine has a control signal to control external 10 high-current relay, executable Electric opening and closing action, and has the following features

Boot pulse suppression circuit : With power transmission pulse suppression circuit, instantaneous power fed does not perform any action remain stationary

Power input design considerations for construction convenience : DO-5685 power partakers polarity, even when the power wrong then just does not work no burned danger

Full-function status indicator: the 5685 has a separate circuit state indicator,

and operational status of each road can be clearly displayed, and also understand the machine to perform state indicator by unique state of the CPU, the communication indicator is displayed from a central console control Message

With 232 or 485 select function : communication mode selector switch, you can decide that the system will be 232/485 communications link. Occasions in a multi-machine connection, you can switch the ID address switches, 5685 extended to 16 connections easily. In addition, 5685 has infrared remote, with the panel ID switch positions to change the unit's infrared remote coding rules change

Circuit protection measures : 5685 on each independent circuit installation of circuit protection circuit, even if the external wiring error will not hurt the main circuit, greatly extend the machine life

Flexible and complete action configuration : 5685 each loop can be independent of the implementation of the on / off / hold / pros and cons of such action, in accordance with the needs of the different groups, even the control or scene memory and execute any need to relay control planning 5685 are completely done

With the IR signal output : 5685 each circuit can be individually controlled by IR, configure a set of IR Emitting Diode. By the control protocol to control and then output IR coding for sampling learning

With complex electrical memory setting : This function enables the unit to become a standard lamp control machine. Before the power failure, whether the light is on or off restoration automatically go back to the previous state of the planning of the machine is fully compliant with electric lighting use logic. This function may also choose to set the memory or not

Standard safety certification: the standardization of safety certification current terminal block wiring easy and safe to use

Standard aluminum rails fixed: support removable aluminum rails fixed, simple and easy to use

Specification

Input voltage : DC 12V/1A (max)

Output voltage : DC 12V/0.9A (max)

Loop current : single relay coil current required <0.2A

Indicator : loop indicator in red high brightness LED*10

The blue LED power indicator / communications indicating a two-color LED

The appearance of the material : aluminum design, the best cooling effect

External infrared : pull through the SR-616 infrared receiver module can be easily extended to the tens of meters outside

baud rate : with RS232/RS485 select / 9600, n, 8,1

Standby current : 35mA

Color : black anodized

Dimensions : 108 * 80 * 68 mm

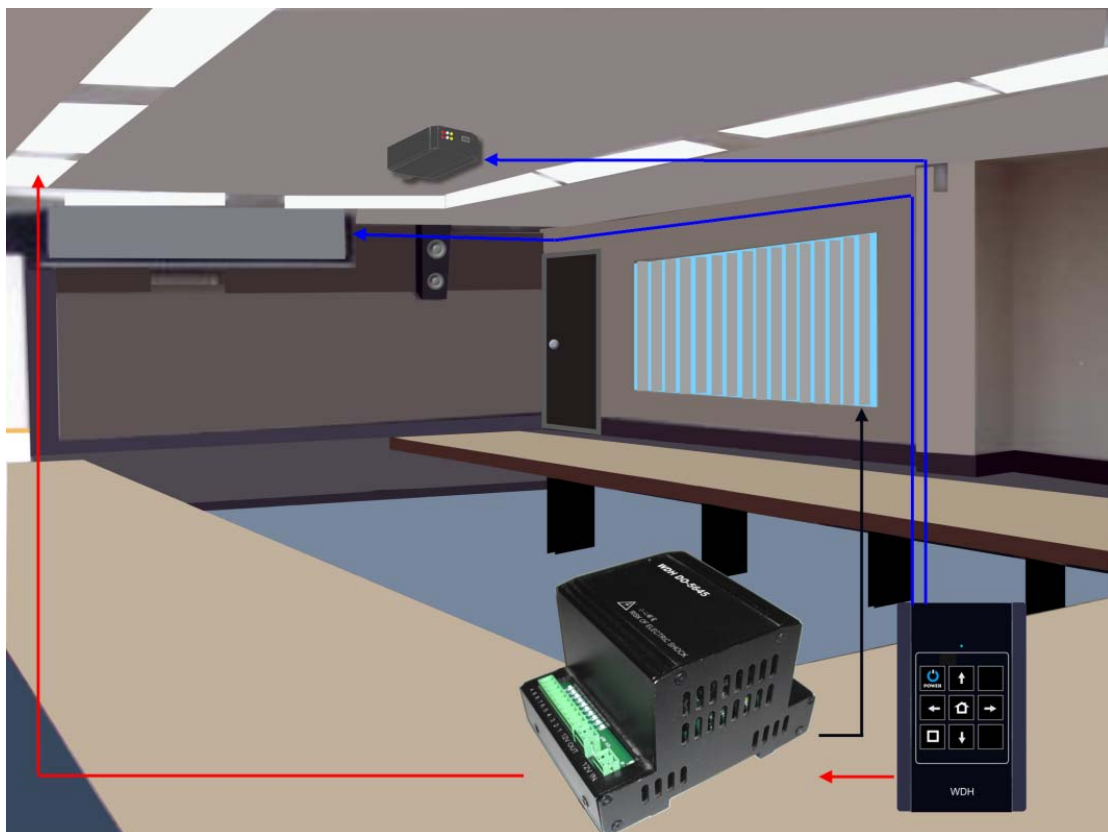
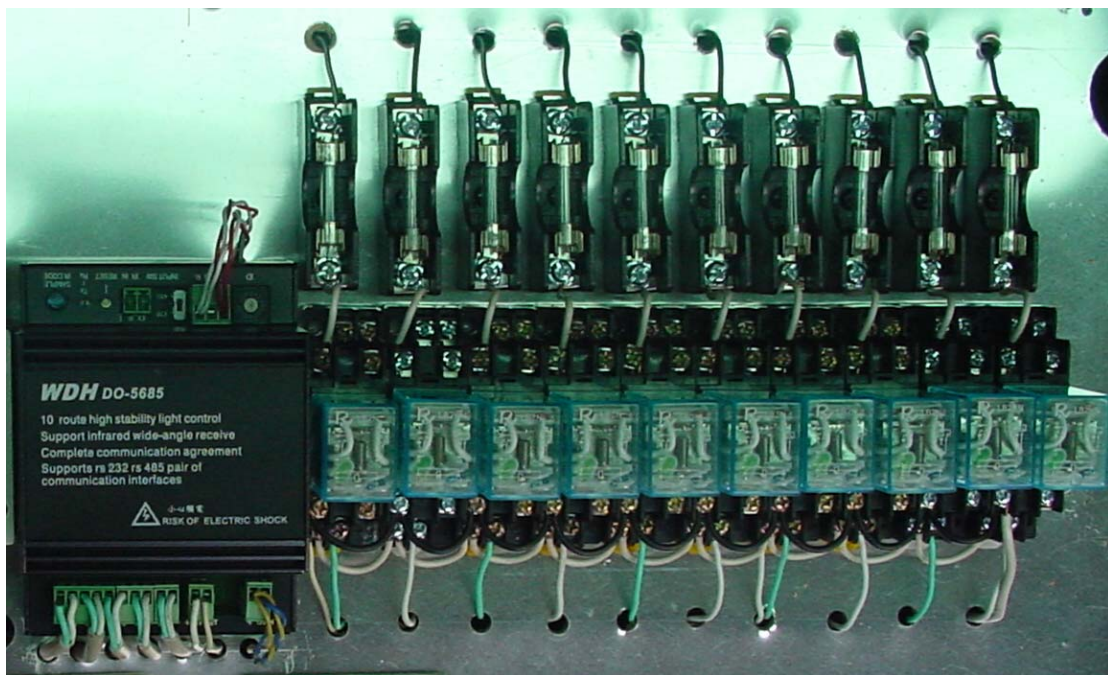
Weight (pcs) : about 800 g

Packaging and Accessories

1. Machine fixed two iron plates and screws.
2. quick connect terminals 2 pin *2 / 3 pin *1 / 10pin * 1
3. Each group DO-5685 are individually wrapped

Optional: 1.AE-005 is compatible with standard aluminum rails fixed hook
2.SR-805/SR-616 infrared receiver module

Configuration Examples



The content and functionality of the above products, mainly to the actual, the Company reserves the right to modify the specifications are subject to change without notice.