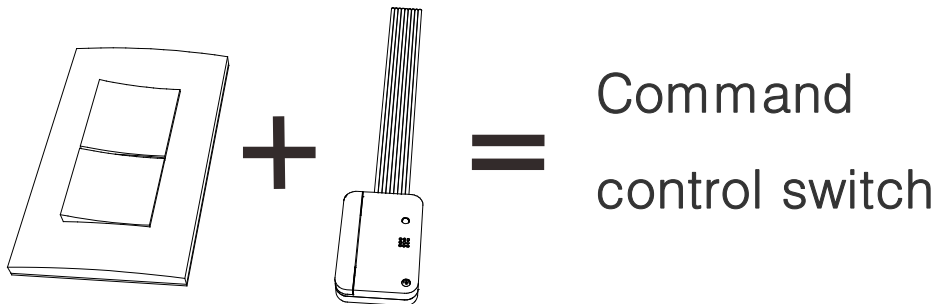
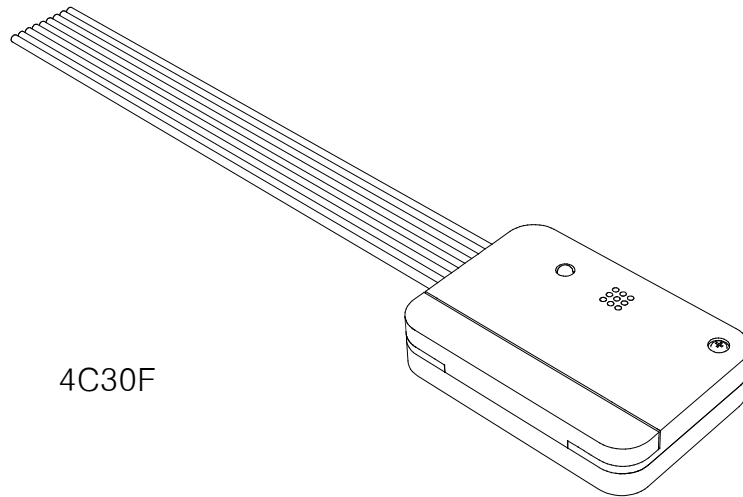


Programmable DI controller D-4C30F

Appearances



Introduction

General wall switches are used as a simple light switch, gives the impression that simply turn on or off the ceiling lighting. The

Programmable DI controller

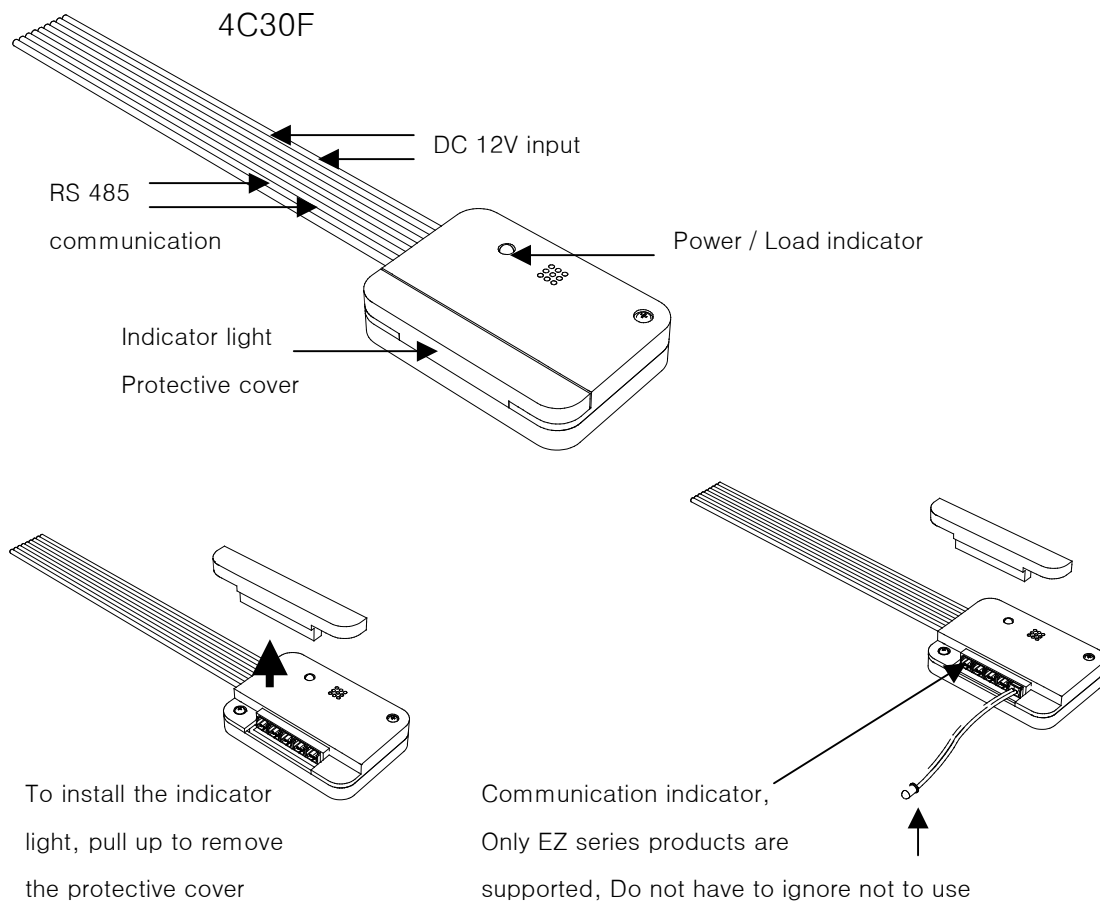
D-4C30F

4C30F has changed the wall switch function. 4C30F hidden in the wall junction box inside! And traditional switches and become a full electronic switch. When you press the switch, its function ever-changing, Example: control the air conditioning, multi-channel lighting macro program, Control curtains, projectors, screen movements and audio-visual systems and other equipment, and even 4C30F DI contacts can be connected to the anti-theft device with reed, integrated security defense system or control host.

Usually the two types of wall switches, One is the traditional rocker switch (1 or 2 way switches), this switch has been used as a traditional light switch, The other for the bell switch (Push buttons), most of this switch as a trigger, or dimming control, 4C30F can be selected by the program definition which type of switch, the 4C30F integration into your planning case, it will be your best choice

Programmable DI controller D-4C30F

Hardware



Specifications

- With digital DI * 4 contacts can be applied to the wall switch / detection components / access control systems
- Digital DI contact action can be connected to the general switch or bell switch

Programmable DI controller

D-4C30F

- With power and load indicator
- Programmable output protocol can execute a single instruction or a macro
- With external LEDs display
- With the synchronization indicator light function, with the end of the light control module should be synchronized with the light display (LIGHT LINK series modules are optional)
- Output RS485 signal (standard J1708 BUS)
- With 485 connection error protection circuit, when the positive and negative reverse flash prompt
- Small size Beautiful appearance does not occupy space, can be easily placed in the electric back box
- All components are strictly selected by the safety certification of the regular parts

Dimensions and product packaging accessories:

Dimension: 47 * 32.5 * 10 mm (Line length 100 mm)

Weight: 46.5 grams (With packaging)

Input power: DC12V

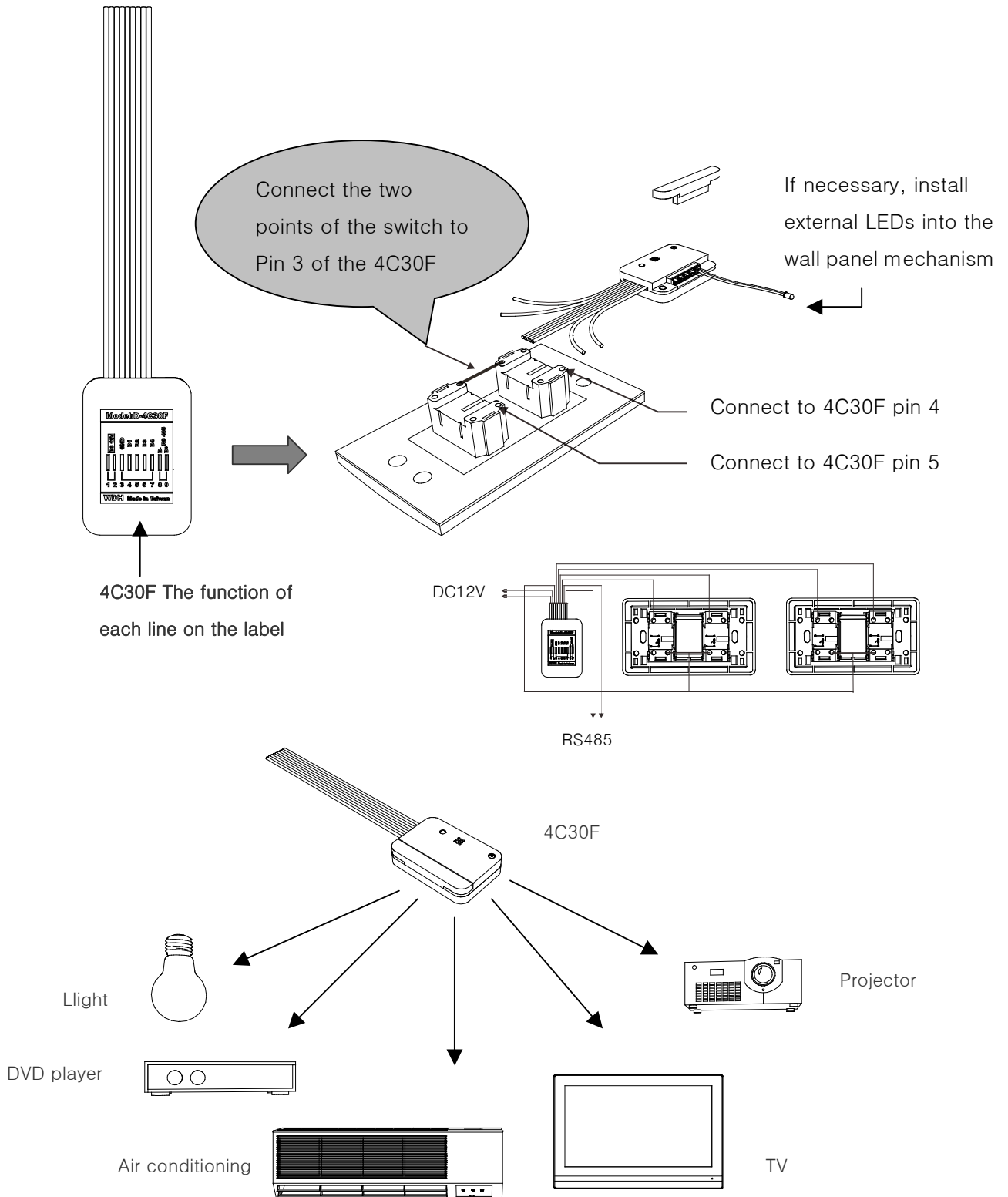
Optional accessories: 4C30F dedicated multi-function loader (TF-60C)

Packing: environmental carton

Safety regulations: CE / FCC

Programmable DI controller D-4C30F

Wiring examples



The product content and function, should be based on real products, the company reserves the right to modify, specifications subject to change without notice.